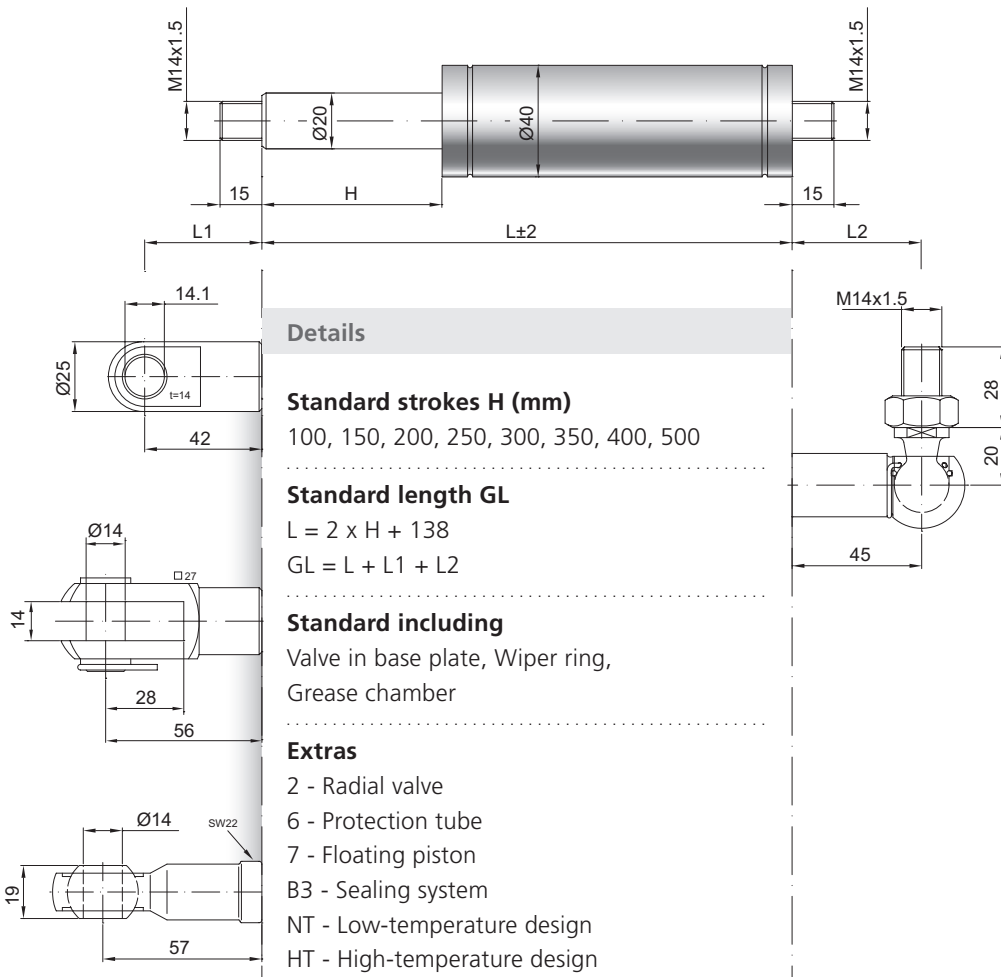


Gas spring G 20-40 V4

Extension force F1	300 - 5000 Newton
Progression	40 %
Piston rod	Ø 20 mm, W. 1.4404 / AISI 316 L
Cylinder	Ø 40 mm, W. 1.4571 / AISI 316 Ti
Endfittings	W. 1.4404 / AISI 316 L

GZ 15

GZ 15



Details

Standard strokes H (mm)
100, 150, 200, 250, 300, 350, 400, 500

Standard length GL
 $L = 2 \times H + 138$
 $GL = L + L1 + L2$

Standard including
Valve in base plate, Wiper ring,
Grease chamber

Extras
2 - Radial valve
6 - Protection tube
7 - Floating piston
B3 - Sealing system
NT - Low-temperature design
HT - High-temperature design

WG 45

GG 56

AG 57