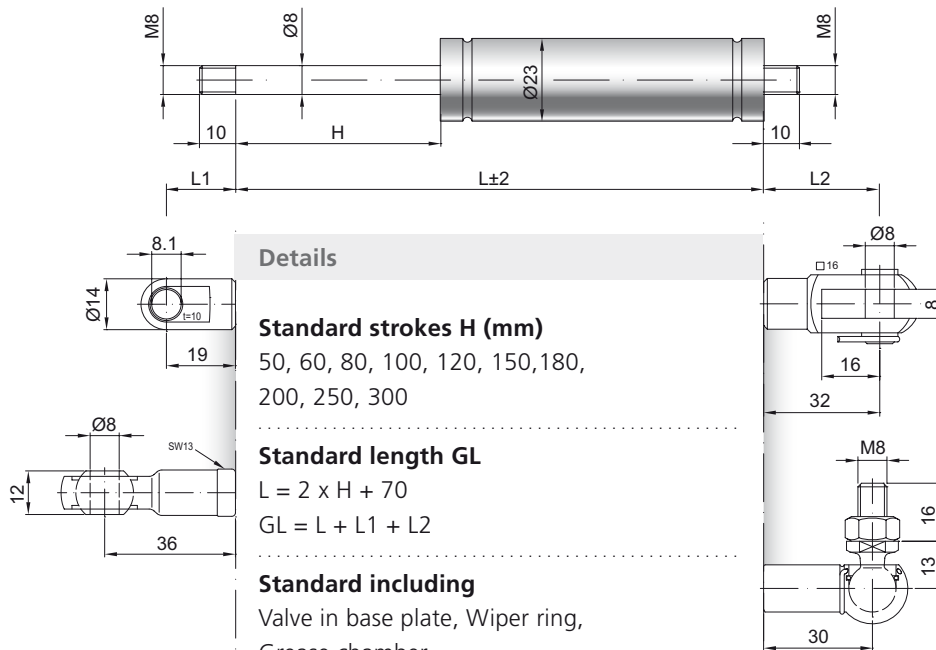


Gas spring G 08-23 V4

Extension force F1	50 - 700 Newton
Progression	18 %
Piston rod	Ø 8 mm, W. 1.4404 / AISI 316 L
Cylinder	Ø 23 mm, W. 1.4571 / AISI 316 Ti
Threads	W. 1.4404 / AISI 316 L

GZ 10



GZ 10

AU 19

GG 32

AG 36

WG 30