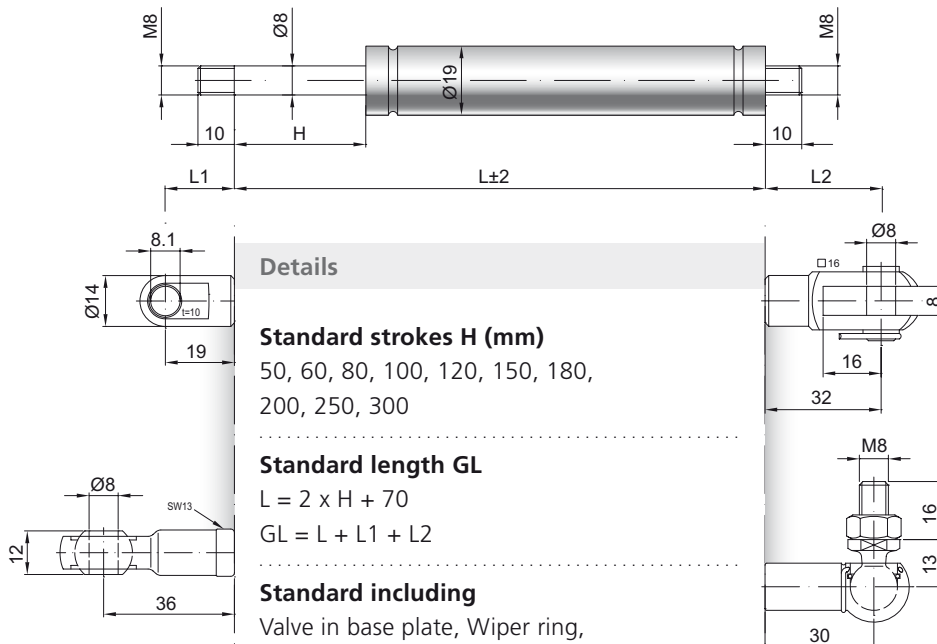


Gas spring G 08-19 V4

Extension force F1	60 - 700 Newton
Progression	30 %
Piston rod	Ø 8 mm, W. 1.4404 / AISI 316 L
Cylinder	Ø 19 mm, W. 1.4571 / AISI 316 Ti
Threads	W. 1.4404 / AISI 316 L

GZ 10

GZ 10



AU 19

GG 32

AG 36

WG 30

Details

Standard strokes H (mm)

50, 60, 80, 100, 120, 150, 180, 200, 250, 300

Standard length GL

$L = 2 \times H + 70$
 $GL = L + L1 + L2$

Standard including

Valve in base plate, Wiper ring, Grease chamber

Extras

- 6 - Protection tube
- 7 - Floating piston
- 8 - Locking device
- B3 - Sealing system
- NT - Low-temperature design
- HT - High-temperature design
- RK - Friction element

More **threads** can be found here [▶](#)

Matching brackets can be found here [▶](#)