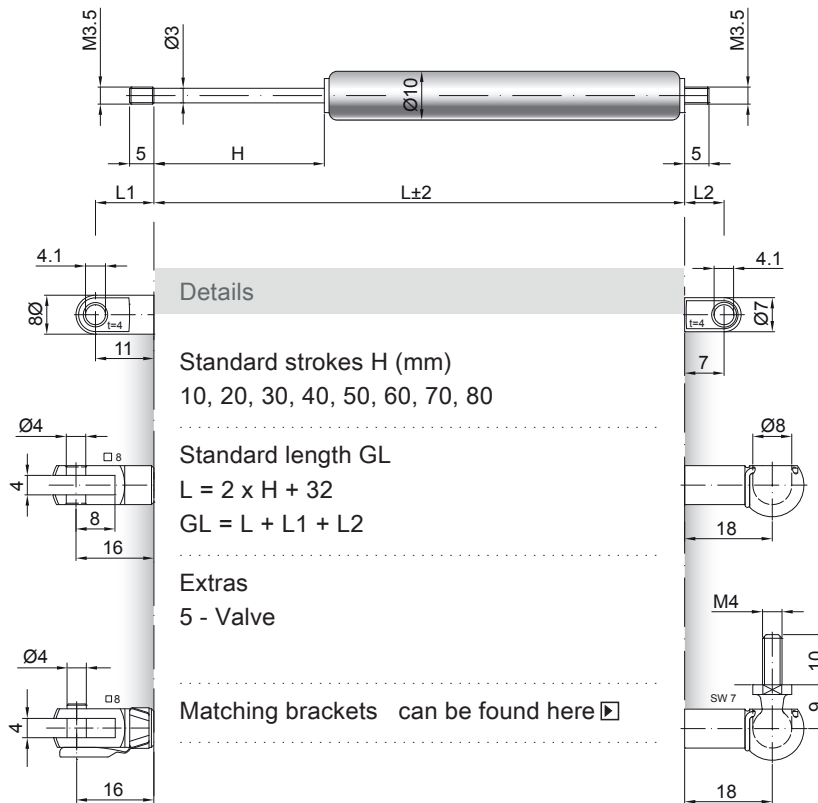


# Gas spring G03-10

Extension force F1	5 - 100 Newton
Progression	20 %
Piston rod	Ø 3 mm, steel, hard chrome plated
Cylinder	Ø 10 mm, steel, black spray coated
Threads	Steel zinc plated

GZ 05

GZ 05



AU 11

AB 07

only possible on cylinder end

GA 16

PX 18

GG 16

WX 18

**Details**

Standard strokes H (mm)  
10, 20, 30, 40, 50, 60, 70, 80

Standard length GL  
 $L = 2 \times H + 32$   
 $GL = L + L1 + L2$

Extras  
5 - Valve

Matching brackets can be found here [▶](#)