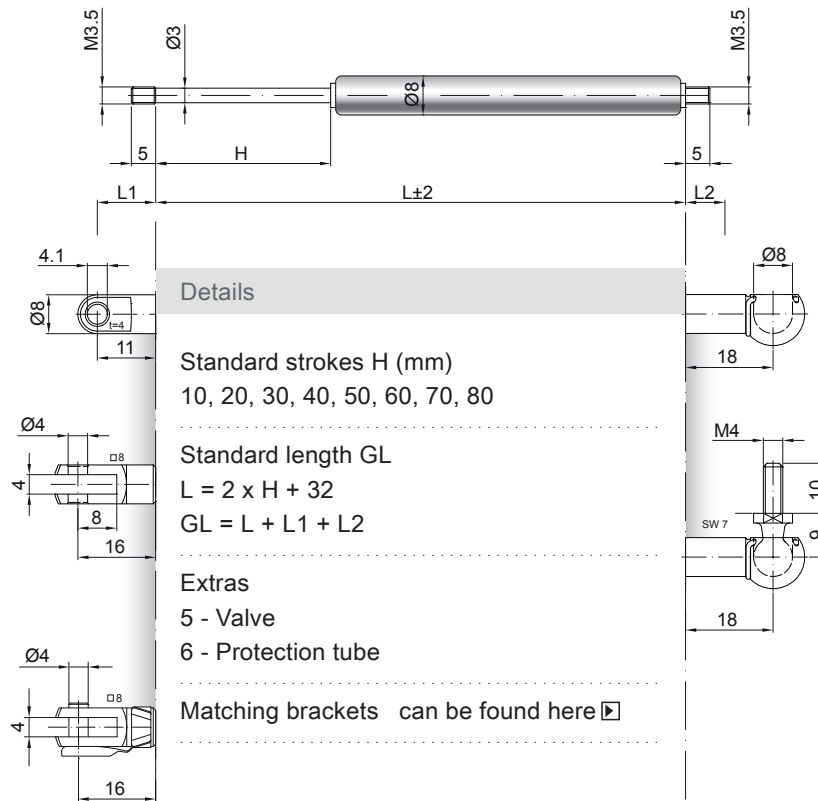


Gas spring G03-08

Extension force F1	5 - 100 Newton
Progression	30 %
Piston rod	Ø 3 mm, steel, hard chrome plated
Cylinder	Ø 8 mm, steel, black spray coated
Threads	Steel zinc plated

GZ 05

GZ 05



AU 11

PX 18

GA 16

WX 18

GG 16

WX 18